

Cutter's Mate

Owner's Manual

It's all you need to cut glass.



Manufactured by
Creator's Stained Glass
Ingleside, IL
www.cuttersmate.com
Made in the USA

CONTENTS

Unpacking & Setting Up	6
Unpacking Cutter's Mate	
Meet Your Cutter's Mate	
Setting up Cutter's Mate	
Maintaining Cutter's Mate	9
Lubricating the Cutting Wheel	
Lubricating Cutter's Mate	
Cleaning the Slide Shaft	
Adjusting Cutter's Mate	10
Grid Adapters	
End Blocks	
Adjusting the Cutting Angle	
Hints	12
Parking & Storing Cutter's Mate	13

IMPORTANT!

These instructions are presented for your safety.

WARNING: *Read all the following instructions and save them for future reference.*

Cutter's Mate is a device with moving parts and a cutting wheel. Without proper care and use, this device can cause personal injury. Please read and adhere to the following safety precautions.

- 1. *Keep your work area clean and free of unnecessary clutter. Clutter can lead to injury.***
- 2. *Keep children away from the device and your work area.***
- 3. *Avoid placing fingers or other appendages between moving parts. Care should be taken when assembling, disassembling, using, parking, and storing device.***
- 4. *Always wear safety glasses when using the device. Tiny pieces of glass will be produced when scoring and fracturing glass.***
- 5. *Maintain proper balance and control while using the device.***
- 6. *Properly care for and maintain your Cutter's Mate tool for optimal performance and safety. Follow instructions for lubrication of all moving parts and cutting wheel. Periodically inspect the cutting wheel and replace promptly when dull.***
- 7. *Any modification to or misuse of the device can be dangerous and may result in ineffective performance.***

PLEASE READ AND SAVE THE PRECEDING INSTRUCTIONS

Cutter's Mate Limited Warranty

Your Cutter's Mate product is warranted against defective material or workmanship for a period of one year from the date of purchase. In the event of failure of the product to conform to this written warranty, please take the following action:

1. DO NOT return your product to the place of purchase.
2. Carefully package the product by itself and return it, freight prepaid, along with:
 - A. A copy of your dated proof of purchase (please keep a copy for your records).
 - B. A written statement about the nature of the problem.
 - C. Your name, address, and phone number to:
Creator's Stained Glass
25091 W. Crabtree Lane
Ingleside, IL 60041

We recommend that you insure your package against loss and in-transit damage for which we cannot be responsible.

This warranty applies to the original registered purchaser. DAMAGE TO THE PRODUCT RESULTING FROM TAMPERING, ACCIDENT, ABUSE, NEGLIGENCE, UNAUTHORIZED REPAIRS OR ALTERATIONS, UNAPPROVED ATTACHMENTS OR OTHER CAUSE UNRELATED TO PROBLEMS WITH MATERIAL OR WORKMANSHIP ARE NOT COVERED BY THIS WARRANTY.

No employee, agent, dealer, or other person is authorized to give any warranties on behalf of Creator's Stained Glass. If inspection by Creator's Stained Glass shows that the problem was caused by defects in the material or workmanship within the limitations of the warranty, Creator's Stained Glass will repair or replace the product free of charge and return product prepaid. Repairs made necessary by normal wear or abuse, or repair of product outside the warranty period, if they can be made, will be charged at regular factory prices.

CREATOR'S STAINED GLASS MAKES NO OTHER WARRANTY OF ANY KIND WHATSOEVER, EXPRESSED OR IMPLIED, AND ALL IMPLIED WARRANTIES OF MERCHANTABILITY AND FITNESS FOR A PARTICULAR PURPOSE WHICH EXCEED THE ABOVE MENTIONED OBLIGATION ARE HEREBY DISCLAIMED BY CREATOR'S STAINED GLASS AND ARE EXCLUDED FROM THIS LIMITED WARRANTY.

This warranty gives you specific legal rights and you may also have other rights which vary from state to state. The obligation of the warrantor is solely to repair or replace the product. The warrantor is not liable for any incidental or consequential damages due to any such alleged defect. Some states do not allow the exclusion or limitation of incidental or consequential damages, so the above limitations or exclusion may not apply to you.

Contact your Cutter's Mate distributor for prices and warranty fulfillment.

Unpacking & Setting Up

Unpacking Cutter's Mate

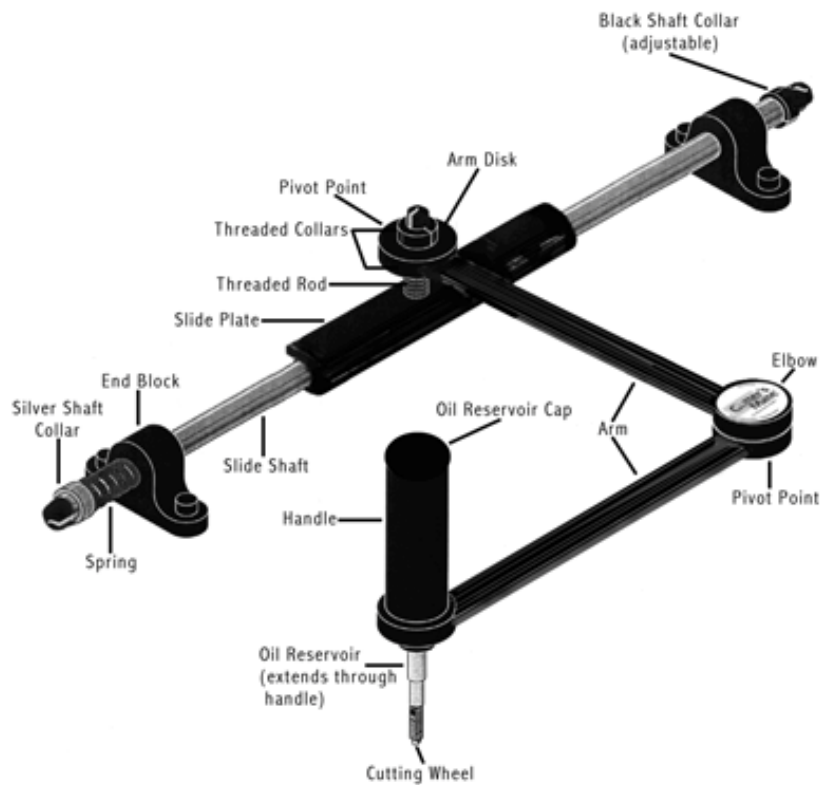
1. Carefully remove the two plastic-wrapped components from the box.
2. Cut the sealed plastic bags open and remove the components. Take care if using a sharp knife or scissors to open the bags.
3. Dispose of the plastic bags properly. These can be dangerous to small children or pets.

NOTE: *You can retain the box to transport your Cutter's Mate.*

Meet Your Cutter's Mate

As you examine your Cutter's Mate for the first time, take a little time to get to know it. The components of Cutter's Mate are precision-manufactured for smooth movement in all directions. The handle is large and cushioned for comfort and control. The arm may seem heavy, but when attached to the base, you will find it to be perfectly balanced and weighted. You simply have to try your new Cutter's Mate to believe it.

Part names used throughout these instructions are similar on all three models. The following diagram illustrates the parts you will need to be aware of while reading this manual. You may need to refer back to the illustration for clarification.

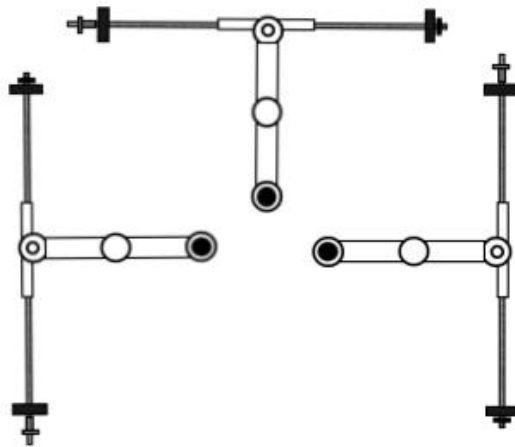


IMPORTANT: *The manufacturer has preset the arm for use on a table or bench top. If you are planning to use the Cutter's Mate with the Morton System, you will need to use the grid adapters. It is important for the arm to be parallel to the bench top so that the cutting wheel will remain at a constant 90-degree angle to the glass surface. (See Adjusting Cutter's Mate, but please note that the grid adapters automatically compensate for the change between any flat surface and the Morton System.)*

Setting Up Cutter's Mate

1. Begin by positioning the base where you find it most comfortable. The figure below shows the three most common positions.
2. Space the nylon bushings approximately five inches apart.
3. Attach the slide plate to the base one side at a time. Each side of the plate should cover its nylon bushing.
4. Remove the rubber cap from the cutting wheel (keep the rubber cap to protect the cutting wheel when not in use).

The following illustrations show recommended positions for left- and right-handed use. Horizontal positioning is also shown as a possibility. You can place Cutter's Mate where it is most comfortable for you.



NOTE: Having the spring closer to you allows you to easily set up Cutter's Mate on a Morton grid. If you decide to use a Morton grid, you will need to use the grid adapters so that Cutter's Mate will maintain a constant 90-degree angle when scoring glass.

Your Cutter's Mate is almost ready for use. *Before scoring glass, you must lubricate the cutting wheel (see Maintaining Cutter's Mate, pg. 9).*

Maintaining Cutter's Mate

NOTE: *Keep your Cutter's Mate from moisture.*

Lubricating the Cutting Wheel

1. Untwist and remove the oil reservoir cap (the rubber cap does not necessarily need to be removed before doing this).



2. Fill the oil reservoir with cutting wheel oil (available at your local stained glass distributor).

3. Replace the oil reservoir cap, and you are ready to cut glass.

Lubricating Cutter's Mate

The pivot points may need occasional lubrication. After about 100 hours of use, or approximately every three months, use a light-weight oil such as sewing machine oil to lubricate the pivot points (refer to the illustration on page 7). Only a couple of drops at each pivot point is necessary. To apply the oil, you may find it easier to disconnect the arm from the slide and shaft and lay it on its side.

Cleaning the Slide Shaft

If you notice the slide plate is not moving smoothly along the slide shaft, wipe it with a dry, soft cloth.

NOTE: *Never use oil on the slide shaft. This will cause the nylon bushings to become sticky.*

Adjusting Cutter's Mate

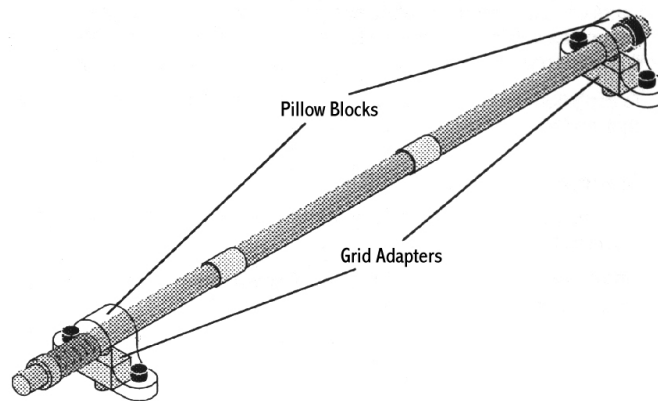
Your Cutter's Mate is factory-set for use on a flat surface, such as a table or bench top. The arm will be parallel to the surface when the base is placed on the bench and the cutting wheel is sitting on a piece of glass for scoring.

Since the handle can turn a full 360 degrees, the arm must be parallel to the bench top to maintain a 90-degree angle to the glass surface when scoring.

Grid Adapters

Grid adapters have been included to make the most common adjustment when moving Cutter's Mate between a flat surface and a Morton grid, and back again. When using grid adapters, no actual adjustment to Cutter's Mate is necessary.

1. Begin by setting your Cutter's Mate on the Morton grid approximately where you will be using it.
2. Push the grid adapters into the grid so that they are slightly wider than the end blocks. The spring should compress slightly.
3. Pick up your Cutter's Mate, and align the end blocks over the two grid adapters. You should need to compress the spring slightly.



End Blocks

The arm will glide more smoothly along the slide shaft if the end blocks are placed against the spring and the silver shaft collar.

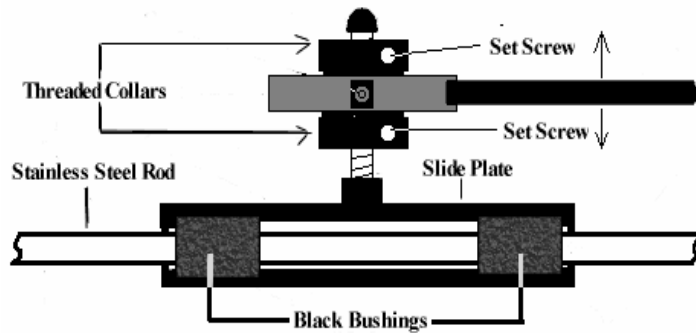
It may be necessary to move the end blocks closer together on the slide shaft to meet your personal needs (usually to fit a smaller surface or grid).

Use a hex wrench to loosen the set screw on the **black** shaft collar. Slide the collar to the desired position and retighten the set screw.

IMPORTANT: *The black shaft collar is made to tighten around the shaft, whereas the silver shaft collar is held in place by a screw making contact to the shaft. Therefore repositioning the silver shaft collar (do not do this) will create marks on the shaft which could hinder movement of the nylon bushings.*

Adjusting the Cutting Angle

To maintain a 90-degree angle to the surface of the glass, your Cutter's Mate may need to be adjusted slightly. This is accomplished by raising or lowering the *threaded shaft collars* on the slide cylinder.



Loosen the screws in the threaded shaft collars. Turn the threaded collars to adjust the arm up or down the desired amount. Re-tighten the screws, being careful not to over tighten.

NOTE: Care should be taken when adjusting the threaded collars. If they are too tight against the arm disk, movement may be restricted. Leaving them too loose may cause the arm to have too much play.

Hints

1. When scoring glass, keep the cutting head at least three inches from the slide shaft for better stability. Wear safety glasses !!!

2. Replace the rubber cap over the cutting wheel when Cutter's Mate is not in use. This will protect the wheel from moisture and damage, and will help retain oil on the wheel.

3. The rubber cap can assist in running the score. This is very effective with deep inside cuts and more delicate work.

a. Score the glass as usual.

b. Turn the glass over so that the score is on the bottom of the glass.

c. Place the yellow, plastic cap over the cutting wheel.

d. Hold the Cutter's Mate handle as usual and press down with the covered cutting wheel along the backside of the score. Press firmly until you see the score begin to run. Lift and move the handle slightly along the score line, and press firmly again. Repeat until the cut is completed.

Remember to lift the handle when the score begins to run. If you continue to press in the same spot, you may shatter the glass. With practice, you will find this to be a very effective technique.

NOTE: If you find it difficult to see the score line, trace it with a marker on the scored side of the glass. With some glass, there may be no way to see the scored line. You may want to make a mark on the edge of the glass and start the run there.

4. You may find it helpful to use your Cutter's Mate with a Morton (Maxi or Mini Surface) or a light box.

Parking & Storing Cutter's Mate

Parking Cutter's Mate

When not in use, Cutter's Mate can remain on your work area, ready for your next cut. Parking keeps it out of the way and is also useful for keeping pressure off of the cutting wheel.

Place the glass cutter against the slide shaft so that the elbow of the arm is resting on your work surface as illustrated below. The parked position is demonstrated on a Morton grid, but is effective on any work surface.



Disassembly and Storage

To disassemble your Cutter's Mate, hold the base firmly with one hand, and with the other hand, gently detach the slide plate from the nylon bushings, one side at a time.

Your Cutter's Mate is now ready for transport or storage. Store your Cutter's Mate in a clean, dry place.

Replacing the Cutting Head

To replace the Toyo TC-10H cutting head, loosen, but do not remove the Phillips screw. Remove the cutting head. Leave the spring in place. Slide the new cutting head onto the shaft. Push the cutting head down to compress the spring and tighten the Phillips screw.

