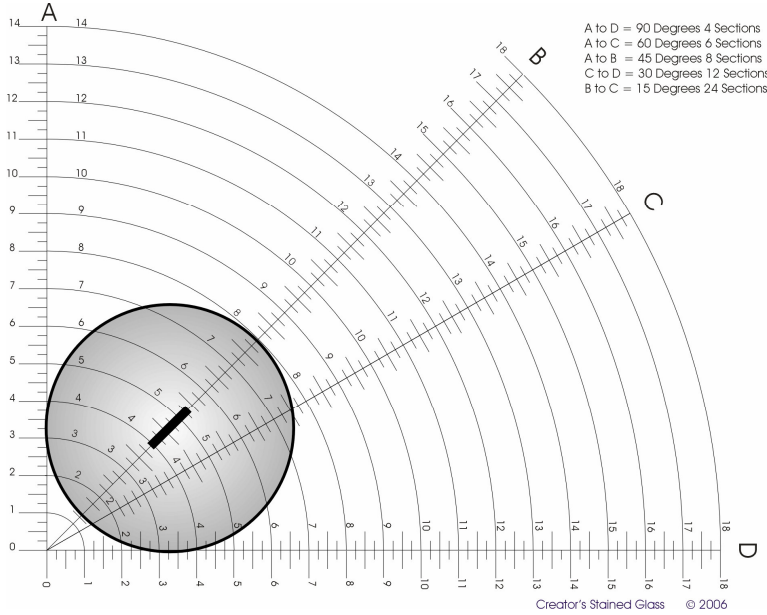
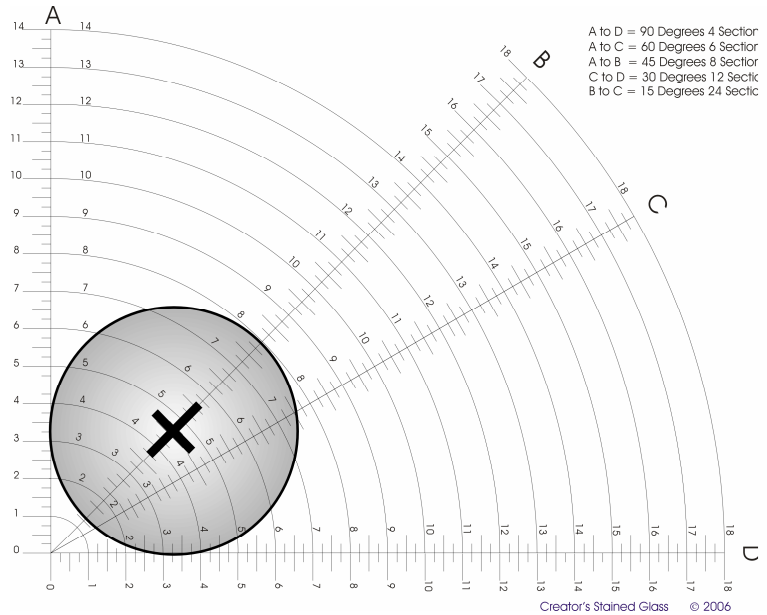


# Finding Center Of A Clear Circle

- Place the circle on the template as shown.  
Draw a short line in the proximity of the middle aligned with the B line as shown.  
Rotate the circle approximately 90 degrees.  
Proceed to step 2.

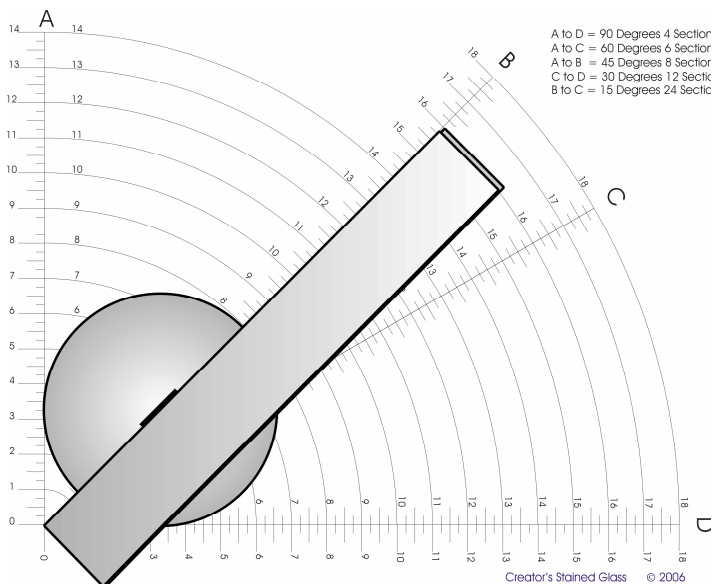


- Draw another line aligned with the B line as shown  
intersecting the first line.  
X marks the spot.



# Finding Center Of An Opaque Circle

- Place the circle on the template as shown.  
Align a straight edge with the B line as shown.  
With a *fine tip Sharpie Pen* draw a short line  
in the proximity of the middle as shown.  
Rotate the circle approximately 90 degrees.  
Proceed to step 2.



- Align the straight edge with the B line as shown.  
With the *fine tip Sharpie Pen* draw another  
short line intersecting the first line you drew.  
X marks the spot.

